

**In line volumetric
sampling valve
for liquids with low viscosity**

PEVL[®]



Optional :



Gaskets :



OVERVIEW :

The PEVL volumetric sampling valve is used to sample automatically and sequentially a sample of a constant volume of clear or low viscosity liquid on a transfer line.

The PEVL has pneumatic control and comprises a body equipped with a sampling chamber, a sampling piston and a drive cylinder. With each movement of the drive cylinder, the sampling piston samples in the transfer line a quantity of the product corresponding to the volume trapped in the calibrated neck of the piston. When the piston returns to its initial position, the sample is transferred to the sample vessel via the outlet tube. The sampling chamber is cleaned by connecting the valve to the CIP installation or by injecting a sterilising liquid.

KEY BENEFITS :

- ▲ Sampling of a constant volume at regular intervals (automatic)
- ▲ Hygienic design, with the possibility of mounting a cleaning valve in line
- ▲ Sampling volume factory calibrated, from 1 ml to 40 ml
- ▲ Possibility of undertaking up to 600 samples per hour
- ▲ Easy maintenance due to the presence of a single membrane
- ▲ Sterilisation by CIP/SIP circulation

APPLICATIONS :

- ▲ Sampling on the transfer line of a clear or low viscosity liquid
- ▲ Equipment especially suited to sampling of products subject to quality and/or bacterial controls

Watch the product video : <http://www.youtube.com/watch?v=L8LREBRvJ60>

TECHNICAL SPECIFICATIONS :

SMS Sizes (ØA) :

- Model 1: Sample volume from 1 to 5 ml
- Model 2: Sample volume from 6 to 40 ml

SMS pipe mounting: 51 mm (2"); 63.5 mm (2 ½ "); 76 mm (3"); 104 mm (4")

Diameter of the outlet tubes: 10 mm (model 1), ISO DN15 (model 2)

Pipe mounting: Clamp

Outlet connection: Smooth

Pneumatic connection: 6 mm polyamide tube on push-in fittings

Service pressure: From 0.1 to 6.0 bar

Service temperature: From 1 °C to 120 °C

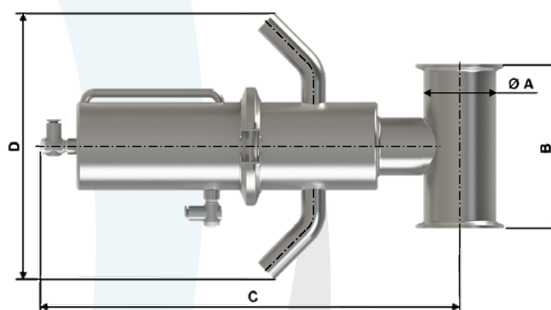
CIP/SIP support: Up to a temperature of 121 °C for 20 to 30 minutes

Materials:

- Parts in contact with the product: 1.4404 (316L) stainless steel
- Other parts: 1.4404 (316L) stainless steel, PTFE (polytetrafluoroethylene, eq. Teflon®) filled
- Sealing: EPDM (Ethylene Propylene Diene Monomer), Perbunan®

DIMENSIONS IN MM :

Sizes	A	B	C	D
Model 1	Depending on DN piping	142	250	150
Model 2	Depending on DN piping	142	355	220



OPTIONS :

- Automatic version «ATEX 2014/34/UE zones 1 & 2, gas and dust» certified
- Automatic valve for direct CIP liquid supply
- Magneto inductive detection (on cylinder) of sampling
- Other connections: female, male, flange
- Version without CIP/SIP connection
- Customised equipment: please contact us

GUARANTEE :

12 months from the date of shipment (except in the case of special conditions)

COMPLIANCE :

- Ducting and tank accessories compliant with European **PED 2014/68/UE**, §4.3
- Optional: Compliant «ATEX 94/9/EC, zones 1 & 2, gas & dust» for the automatic versions
- Elastomer gaskets compliant with **FDA CFR 21.177.2600** and **1935/2004/EC** ruling

SERVINOX follows the recommendations of international guidelines and standards relative to hygienic design and construction, in particular those of the EHEDG and 3-A.

Non contractual document and pictures, subject to change with no prior notice.

Only the commercial offer and the technical manual supplied with the equipment may be used for technical and legal purposes.